

# CASA Tango

Technical catalogue



## QUICK FACTS

- A modern cooker hood that integrates perfectly to the kitchen furniture
- Very high cooking odour extracting capability at low air flow  
**Tango** 80 %, 20 l/s | 72 m<sup>3</sup>/h  
**Tango+** 97%, 20 l/s | 72 m<sup>3</sup>/h
- Maintenance free LED lighting, (4000 K)
- Adjustable brightness
- Side of the control panel can be changed (right/left)

## COOKER HOOD TECHNICAL CONTENT

Dimensions, w x l x h	<b>Tango</b>
	498 x 300 x 572 mm 598 x 300 x 572 mm
Duct outlet	<b>Tango+</b>
	498 x 300 x 699 mm 598 x 300 x 699 mm
Connection power	Ø 125 mm
Lighting effect	12 W
Power source	8 W
Colour	24 V, 12 W, 0,5 A
	Exterior White, RAL 9016 (corresponds to NCS S0502-G50Y)

# Content

<b>Technical description</b> .....	<b>3</b>
<b>Design data</b> .....	<b>6</b>
Capacity for capturing cooking odours.....	6
Acoustic data .....	6
Dimensions.....	7
External connections .....	9
Internal connections.....	10
<b>Installation</b> .....	<b>11</b>
<b>Models</b> .....	<b>12</b>
<b>Product codes</b> .....	<b>14</b>



# Technical description

## Swegon CASA Tango

The Swegon CASA Tango cooker hood integrates elegantly as a part of each kitchen interior as the cabinet doors are used as the front panel. The smooth surfaces and washproof metal grease filters are easy to keep clean. The lighting in the hood is made up of maintenance-free LED lights with adjustable brightness.

The CASA Tango cooker hood can be combined with different types of ventilation system in blocks of flats, terraced houses and detached houses.

## Tango Genius

A Swegon CASA ventilation unit can be controlled from the cooker hood (away/home/boost). The ventilation unit automatically compensates for the air removed via the cooker hood, preventing low pressure from occurring unnecessarily in the home.

The cooker hood can be used to directly control a modern EC roof fan. Older AC-operated roof fans can be controlled using the ITFC transformer available as an accessory.

## Tango Central

Central hoods are suitable for centralised ventilation systems in blocks of flats. The hoods offer a damper status signal (potential-free) and an option to control the damper externally.

**Free Flow** cooker hood is a suitable for old constant air flow extract ventilation systems (no damper).



## Available variants

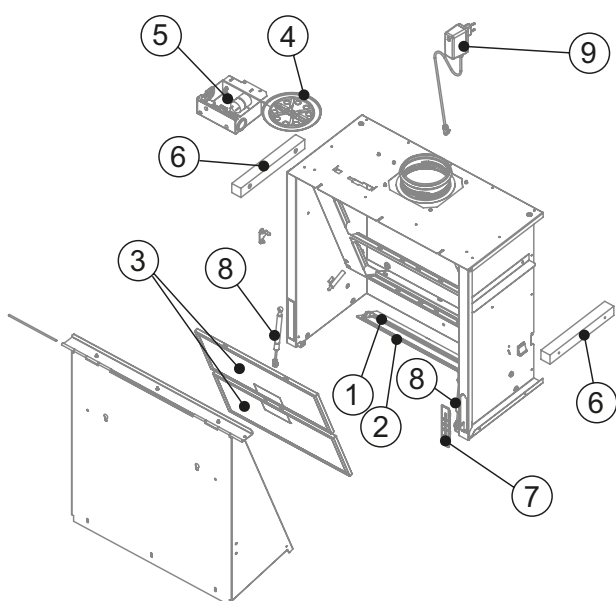
Standard units are available in following variants:

- **Tango Genius**
  - installation width 500 mm
  - installation width 600 mm
  - installation width 500 mm, Safera Safety system
  - installation width 600 mm, Safera Safety system
- **Tango+ Genius**
  - installation width 500 mm
  - installation width 600 mm
  - installation width 500 mm, Safera Safety system
  - installation width 600 mm, Safera Safety system
- **Tango Central**
  - installation width 500 mm
  - installation width 600 mm
  - installation width 500 mm, Safera Safety system
  - installation width 600 mm, Safera Safety system
  - installation width 500 mm, Free Flow
  - installation width 600 mm, Free Flow
- **Tango+ Central**
  - installation width 500 mm
  - installation width 600 mm
  - installation width 500 mm, Safera Safety system
  - installation width 600 mm, Safera Safety system
  - installation width 500 mm, Free Flow
  - installation width 600 mm, Free Flow

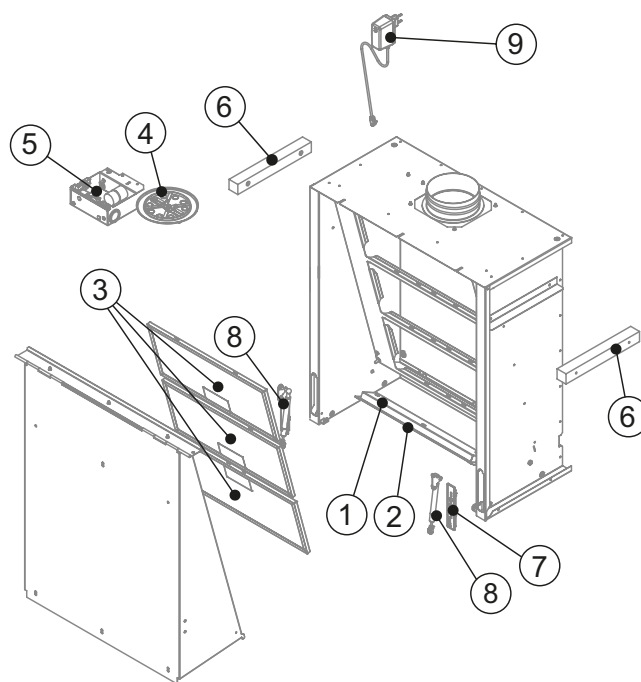
# Tango Genius

## The delivery includes

- Cooker hood
- Mains adapter
- Assembly parts
- Installation and commissioning instruction
- Quick guide
- Guide sticker for residents



Swegon **CASA** Tango



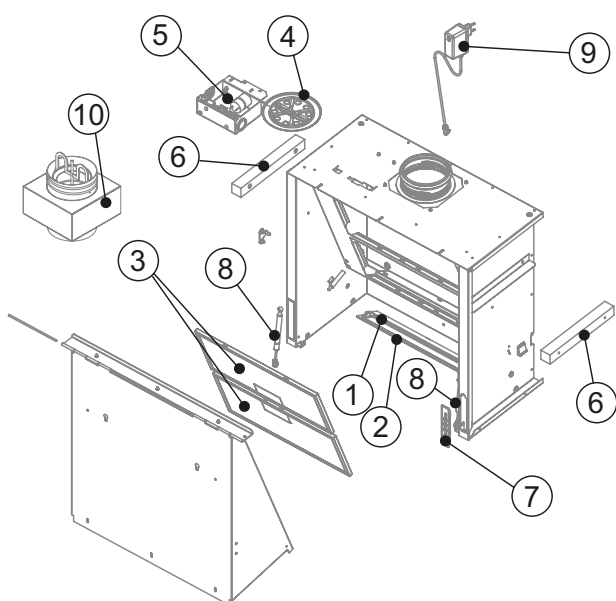
Swegon **CASA** Tango+

1. LED panel
2. Protection for LED lighting
3. Grease filter
4. Shut-off damper with arm
5. Control box
6. Assembly parts
7. Control panel
8. Gas spring
9. Mains adapter: 24 V, 12 W, 0,5 A

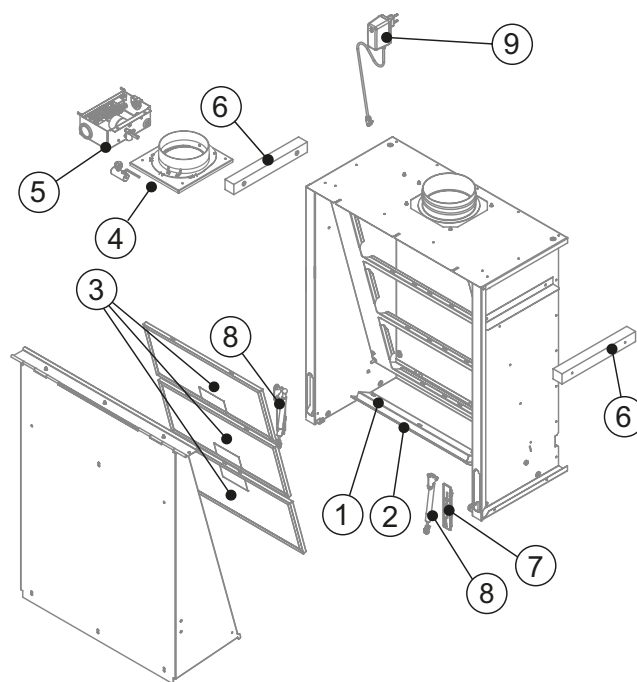
# Tango Central

## The delivery includes

- Cooker hood
- Mains adapter
- Assembly parts
- Commissioning section (*only Tango Central 500/600*)
- Installation and commissioning instruction
- Quick guide
- Guide sticker for residents



Swegon **CASA** Tango Central



Swegon **CASA** Tango+ Central

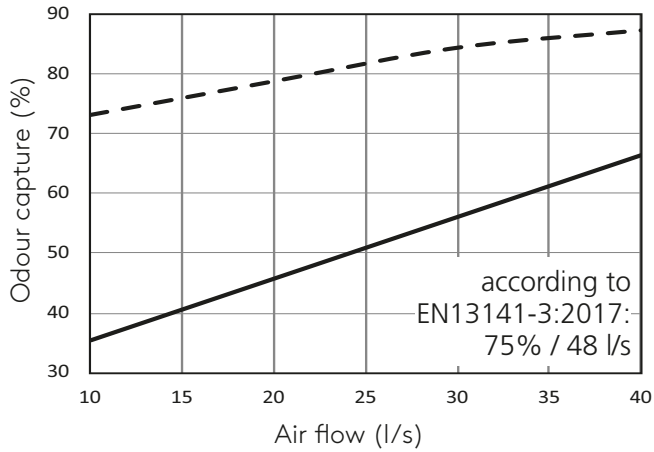
1. LED panel
2. Protection for LED lighting
3. Grease filter
4. Shut-off damper with arm
5. Control box
6. Assembly parts
7. Control panel
8. Gas spring
9. Mains adapter: 24 V, 12 W, 0,5 A
10. Commissioning section (*only Tango Central 500/600*)



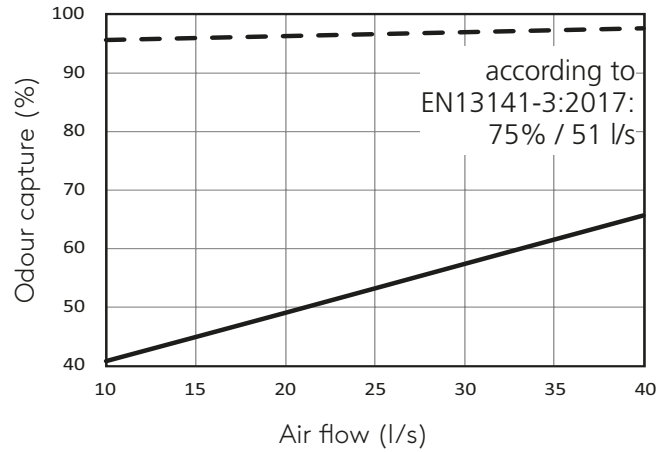
# Design data

## Capacity for capturing cooking odours

Tango



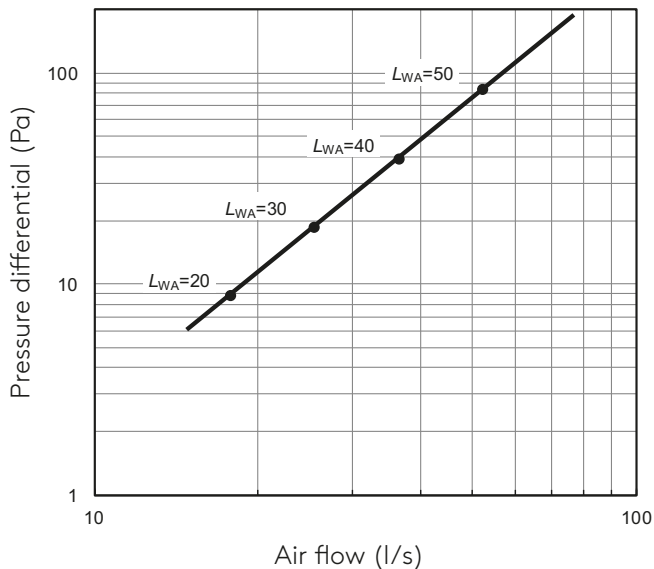
Tango+



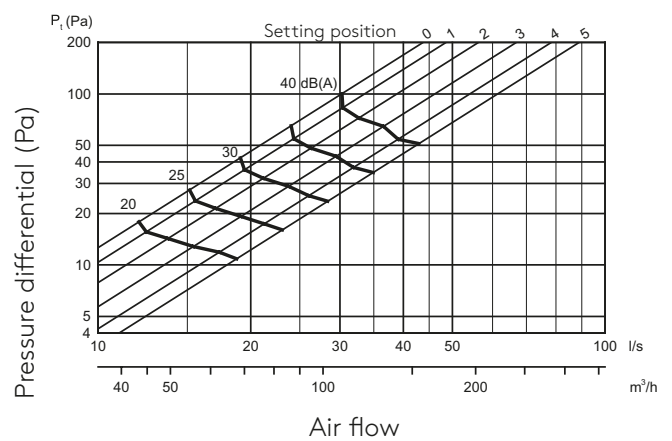
The cooker hoods are tested to IEC 61591:2005 (---) (Tango+ tested with 30 mm rear cover plate) and EN13141-3:2017 (—) standards. The measurements were made at a distance of 60 cm from the cooker.

## Acoustic data in boost mode

Tango | Tango+ Genius



Tango+ Central



L<sub>WA</sub> = A-measured sound pressure level at 10 m<sup>2</sup> Sabin

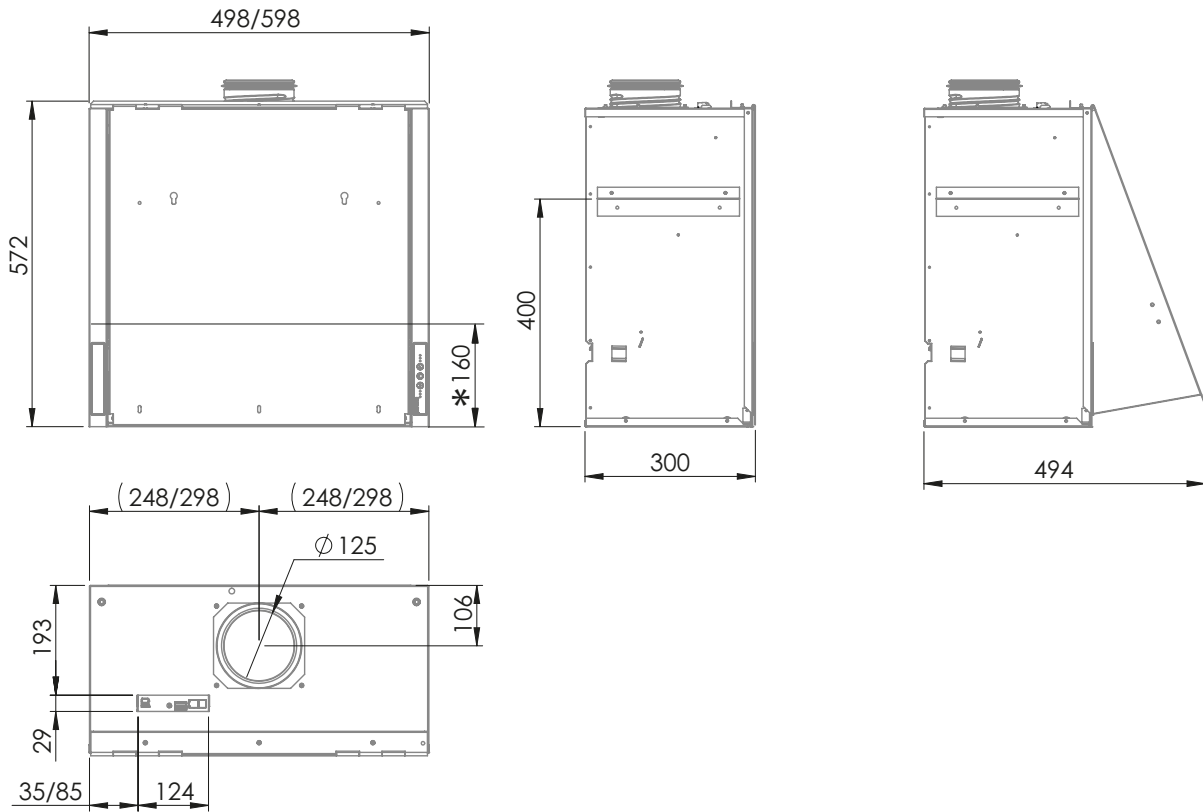
P<sub>t</sub> = Real pressure in ventilation duct

The cooker hoods are tested to ISO 5135 Standards.



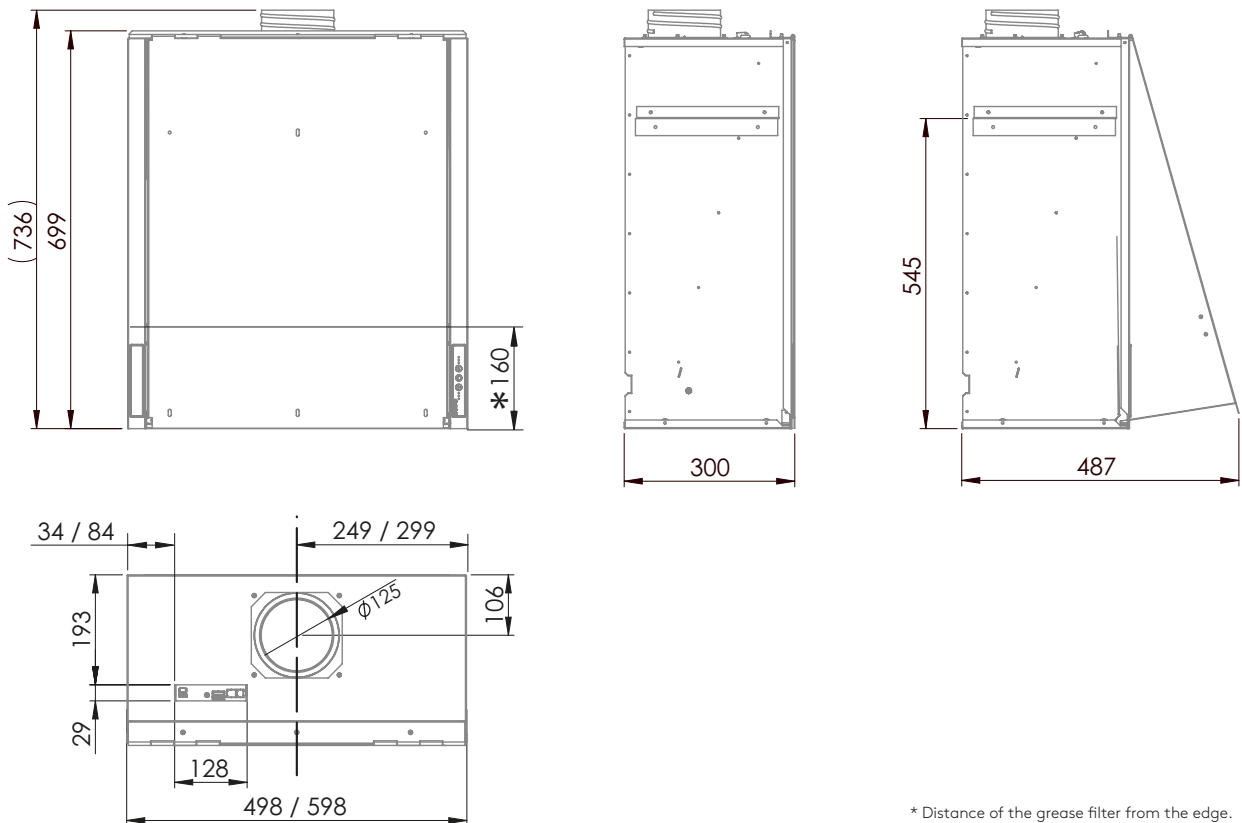
# Dimensions

## Tango Genius



\* Distance of the grease filter from the edge.

## Tango+ Genius

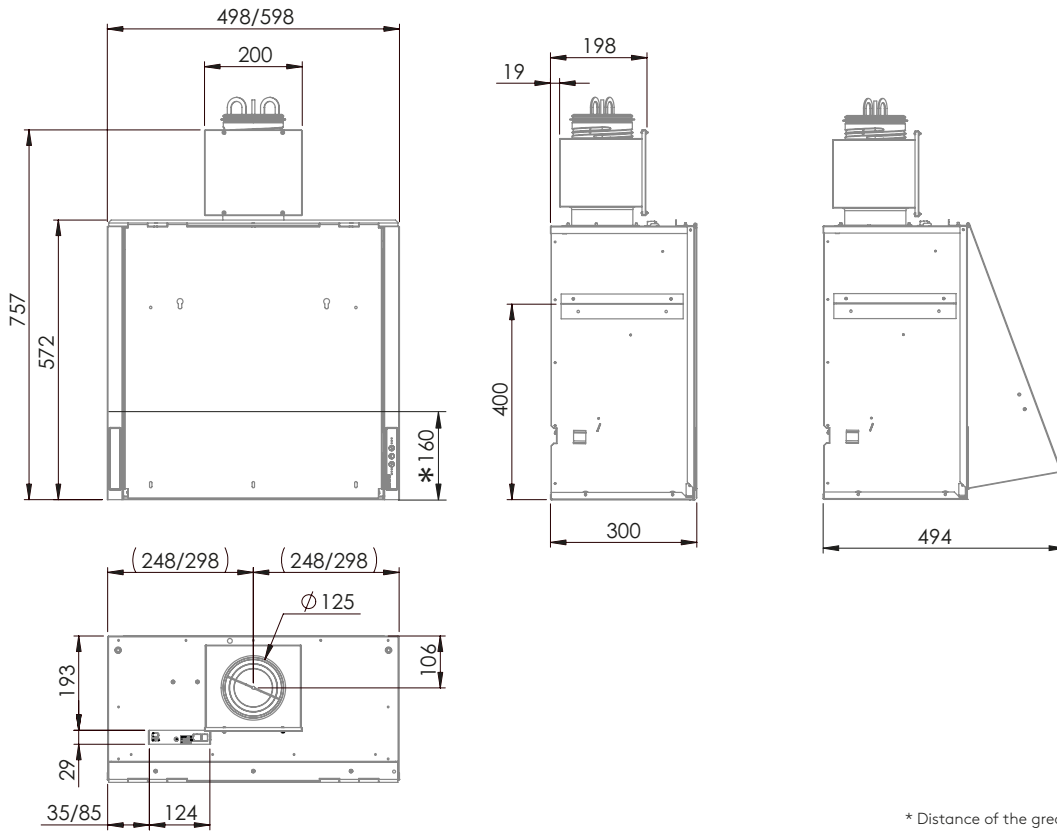


\* Distance of the grease filter from the edge.



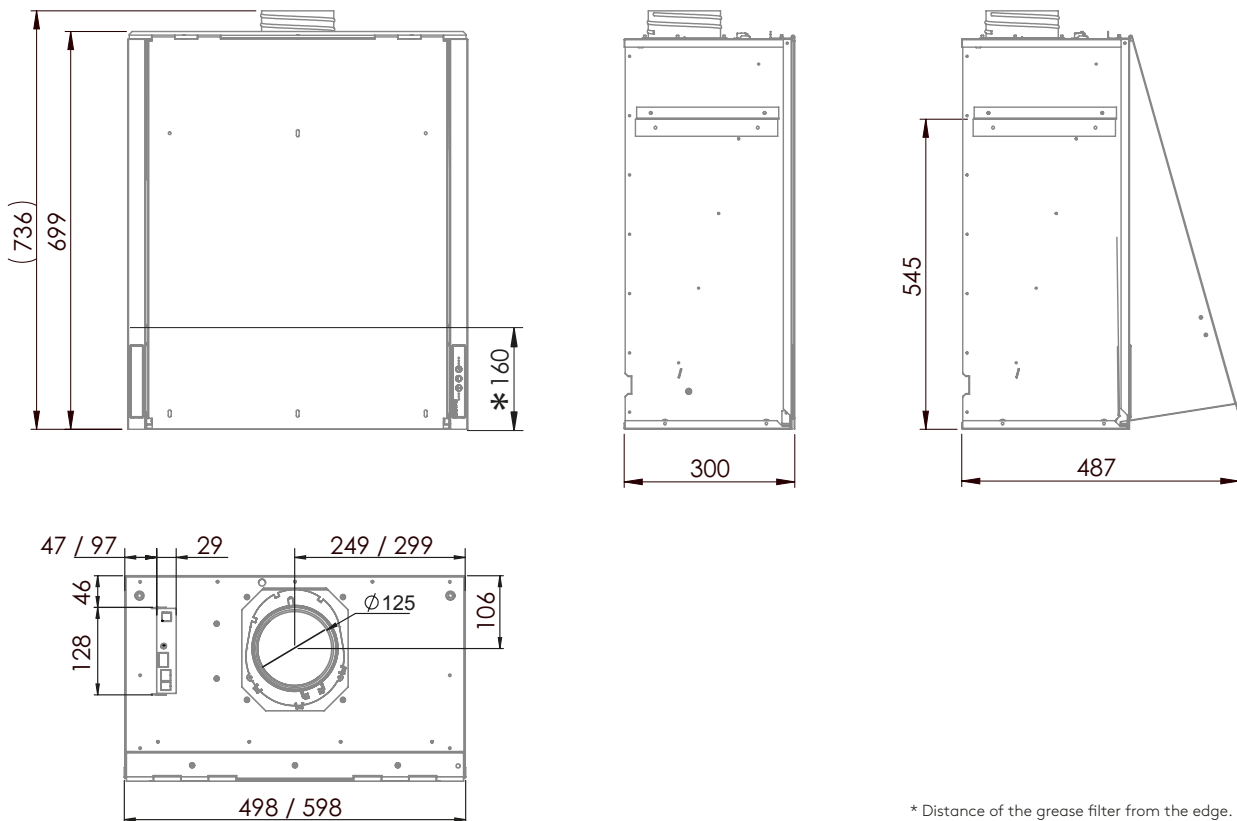
# Dimensions

## Tango Central



\* Distance of the grease filter from the edge.

## Tango+ Central



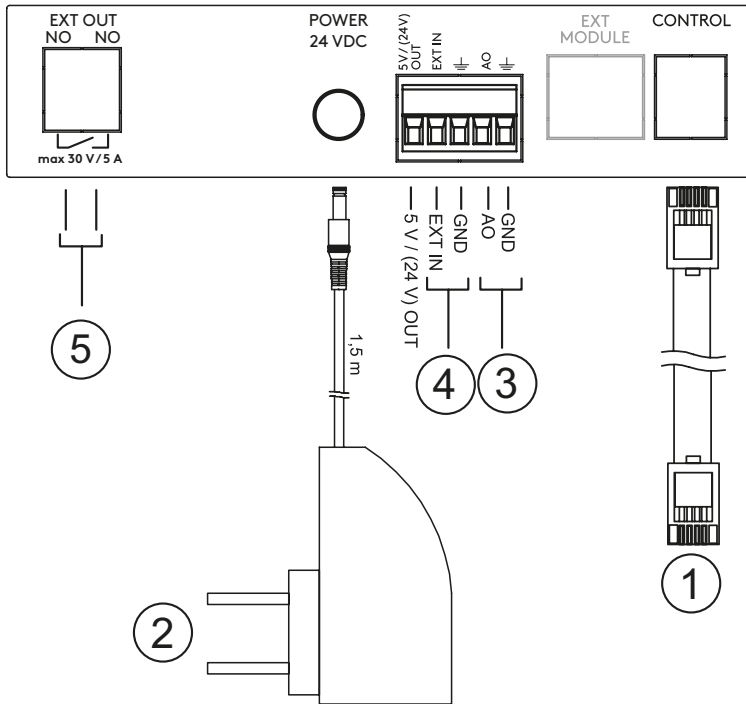
\* Distance of the grease filter from the edge.



# Connections

## External connections

### Tango Genius

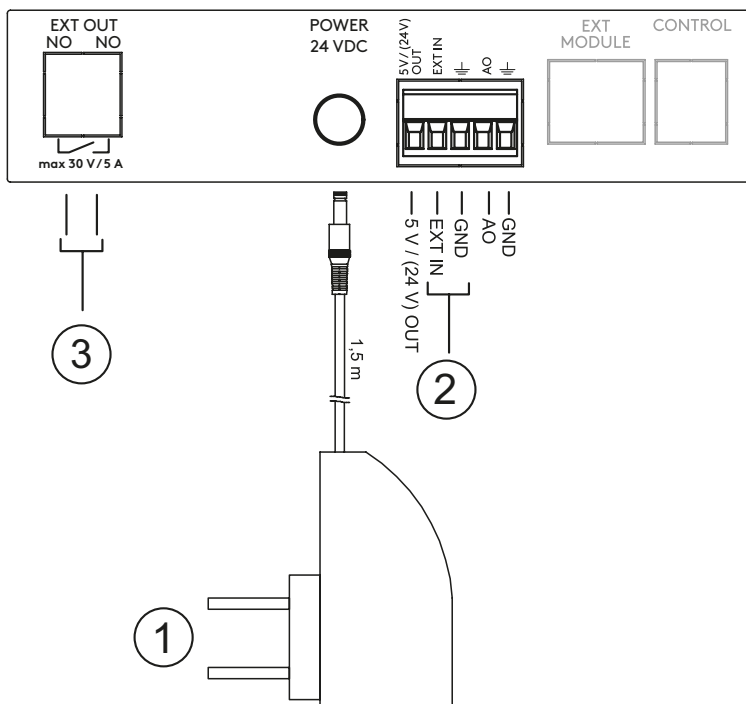


1. Control cable to the ventilation unit or ITFC transformer unit RJ9-connector (modular cable)
2. Mains adapter 24 V
3. Control signal to Twist fan unit or EC-power roof ventilator (0...10 VDC)\*
4. Ext in: control of damper and lighting (with potential-free contact signal)\*
5. Ext out: damper position signal (normally open)\*

\*) Connector in accessory bag.

## External connections

### Tango Central



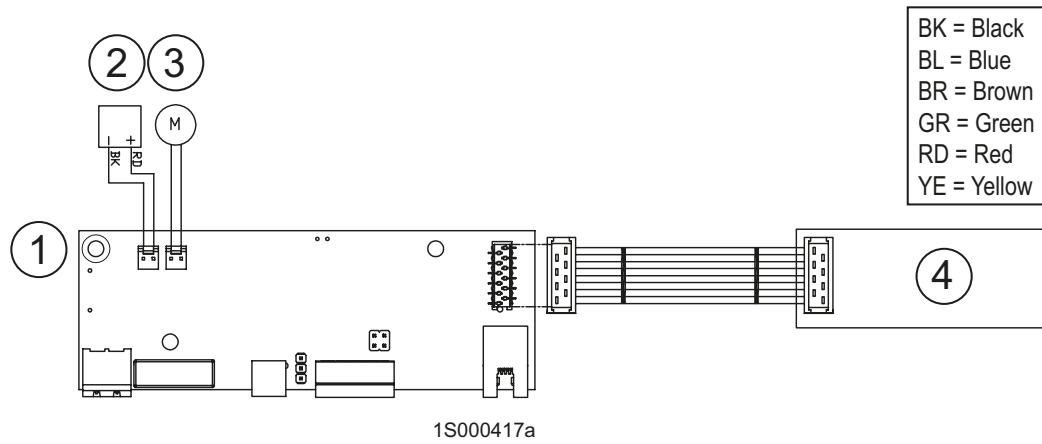
1. Mains adapter 24 V
2. Ext in: control of damper and lighting (with potential-free contact signal)\*
3. Ext out: damper position signal (normally open)\*

\*) Connector in accessory bag.

# Connections

## Internal connections

### Tango



1. Control card
2. LED lighting (4000 K)
3. Damper motor
4. Control panel with buttons



# Installation

## Safety clearance

The relative spacing between the cooker hood and the hob level should be at least: 400 mm (recommendation 500 mm, electric cooker) 650 mm (gas hob).

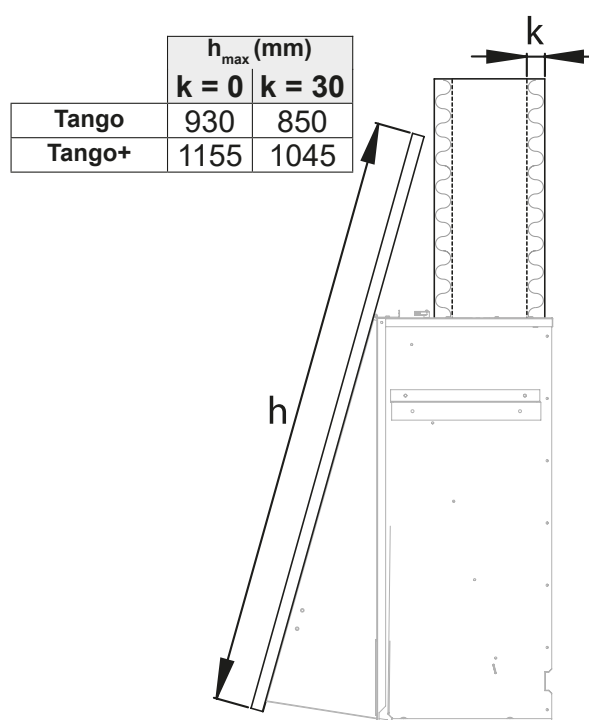
## Installation between kitchen cabinets

The hood is attached to the adjacent cabinets using the installation accessories included in the delivery.

If it is not possible to attach the cooker hood to the adjacent top cabinets, it can be screwed to the rear wall using the optional wall mounting bracket (CHTWMB).

The hood is suitable for direct installation in a 300 mm deep cabinet frame. The hood can also be installed in a 330 mm deep cabinet frame with the help of a rear cover strip (TTPL). (300 mm + 30 mm)

## Dimensioning of the furniture door



## Models - Genius

	CASA TANGO GENIUS	CASA TANGO+ GENIUS	
<b>Compatible</b>	CASA ventilation units	●	●
	Centralized systems	—	—
	Centralized systems (Free Flow)	—	—
	EC roof fans	●	●
	AC roof fans (and AHU's)	○*	○*
Width mm	500/600	500/600	
Height of front panel mm	—	—	
Depth mm	300/494	300/487	
Power connection	Mains adapter	Mains adapter	
Colour/material	White	White	
Lighting	LED (4000K)	LED (4000K)	
Control panel	Buttons	Buttons	
Grease filter	2 steel filters	3 steel filters	
Damper	●	●	
Electronic timer	●	●	
Fan speed	3 speeds	3 speeds	
Smoke limiter	○	○**	
Boost air flow control device	○	○	
Sound attenuator box	—	—	
Duct casing	—	—	
Safera safety technology	○	○	
Safety voltage	●	●	
Installation method	Between kitchen cabins	Between kitchen cabins	
Provision to control the damper with a separate switch	●	●	
Indicating signal for the damper position	●	●	

● Standard   ○ Accessories   — Not available

\* ILVA transformer as an accessory (ITFC)

\*\* CSB as an accessory

# Models - Central

	CASA TANGO CENTRAL	CASA TANGO+ CENTRAL	TANGO   TANGO+ FREE FLOW	
<b>Compatible</b>	CASA ventilation units	—	—	
	Centralized systems	●	●	
	Centralized systems (Free Flow)	—	—	●
	EC roof fans	—	—	—
	AC roof fans (and AHU's)	—	—	—
Width mm	500/600	500/600	500/600	
Height of front panel mm	—	—	—	
Depth mm	300/494	300/487	300/494   300/487	
Power connection	Mains adapter	Mains adapter	Mains adapter	
Colour/material	White	White	White	
Lighting	LED (4000K)	LED (4000K)	LED (4000K)	
Control panel	Buttons	Buttons	Buttons	
Grease filter	2 steel filters	3 steel filters	2   3 steel filters	
Damper	●	●	—	
Electronic timer	●	●	—	
Fan speed	—	—	—	
Smoke limiter	●	○**	○***	
Boost air flow control device	●	●	○***	
Sound attenuator box	—	—	—	
Duct casing	—	—	—	
Safera safety technology	○	○	○	
Safety voltage	●	●	●	
Installation method	Between kitchen cabins	Between kitchen cabins	Between kitchen cabins	
Provision to control the damper with a separate switch	●	●	—	
Indicating signal for the damper position	●	●	—	

● Standard   ○ Accessories   — Not available

\* ILVA transformer as an accessory (ITFC)

\*\* CSB as an accessory

\*\*\* 3202 as an accessory

# Product codes

## Tango

Product	Product code	GTIN
Tango Genius 500mm	PTV5	6415879064154
Tango Genius 600mm	PTV6	6415879064161
Tango Genius Safera 500mm	PTV5S	*****
Tango Genius Safera 600mm	PTV6S	*****
Tango+ Genius 500mm	PTV57	6415879068886
Tango+ Genius 600mm	PTV67	6415879068909
Tango+ Genius Safera 500mm	PTV57S	6415879068893
Tango+ Genius Safera 600mm	PTV67S	6415879068916
Tango Central 500mm	CTV5	6415879064420
Tango Central 600mm	CTV6	6415879064437
Tango Central Safera 500mm	CTV5S	6430080091133
Tango Central Safera 600mm	CTV6S	6430080091126
Tango Central Free Flow 500mm	CTFV5	6415879064680
Tango Central Free Flow 600mm	CTFV6	6415879064697
Tango+ Central 500mm	CTV5P	6430080090907
Tango+ Central 600mm	CTV6P	6430080090891
Tango+ Central Safera 500mm	CTV5PS	6430080090921
Tango+ Central Safera 600mm	CTV6PS	6430080090914
Tango+ Central Free Flow 500mm	CTFV57	6415879068862
Tango+ Central Free Flow 600mm	CTFV67	6415879068879

## Accessories

Product	Product code	GTIN
Rear cover strip 500 mm -hood + 30 mm, for 330 deep cabinet frame	TTPL5	*****
Rear cover strip 600 mm -hood + 30 mm, for 330 deep cabinet frame	TTPL6	*****
Wall mounting bracket. Used when top cupboards are not fitted on both sides.	CHTWMB	6415879069470
Throttling Box/Smoke limiter	CSB	*****
Extract air valve for Free Flow hoods	3202	*****
Transformer unit for AC control	ITFC	6415879068367
Balancing unit for cooker hood	CHB	6415879068756
Cooker hood relay 24VDC	CHR24V	6415879069432
Safera power control unit 3-phase FI model	632039	6415879068343
Safera power control unit 1-phase FI model	632037	6415879068350
Safera water leakage monitor	SA1	6415879068398



Feel good **inside**

