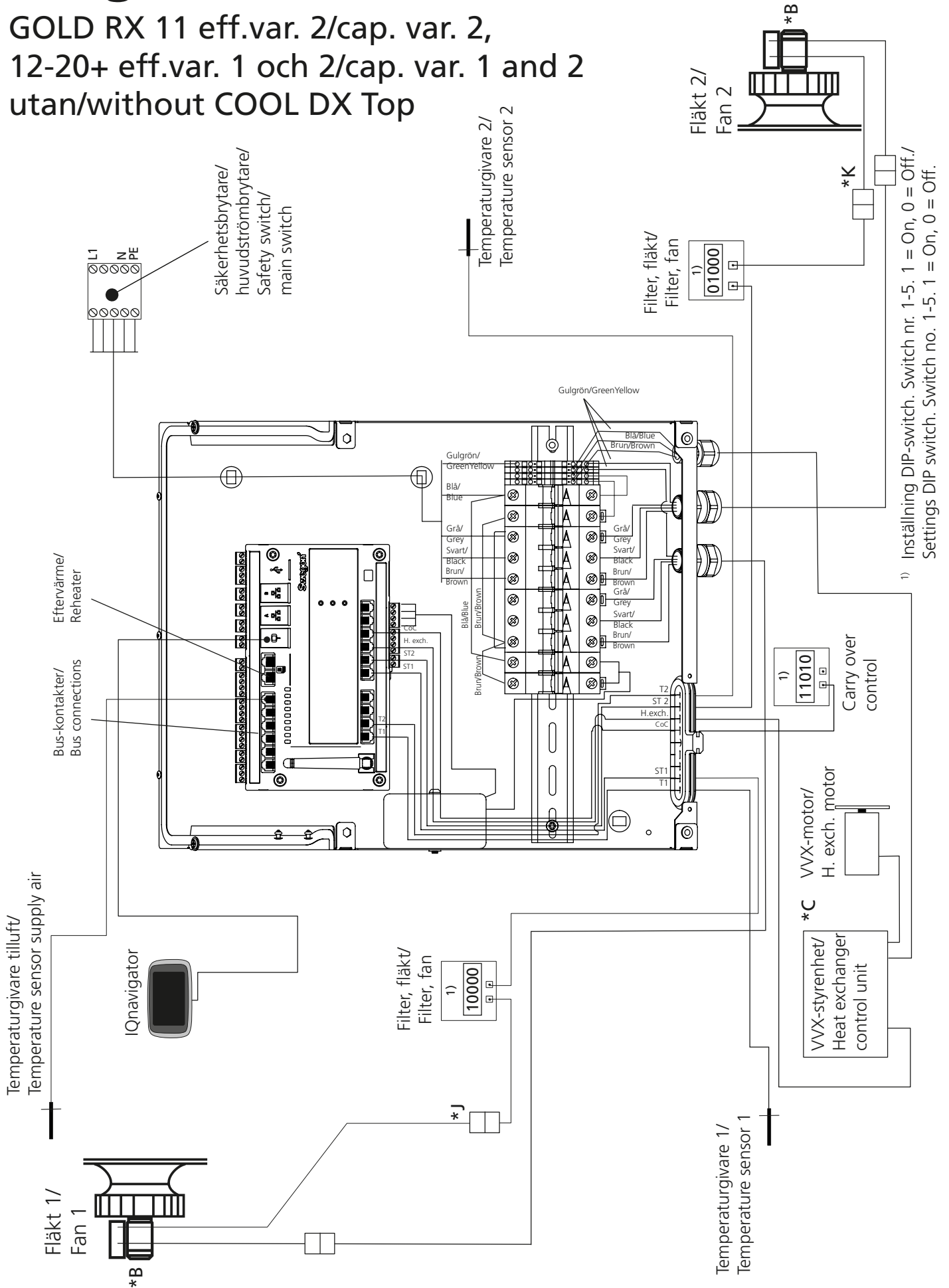
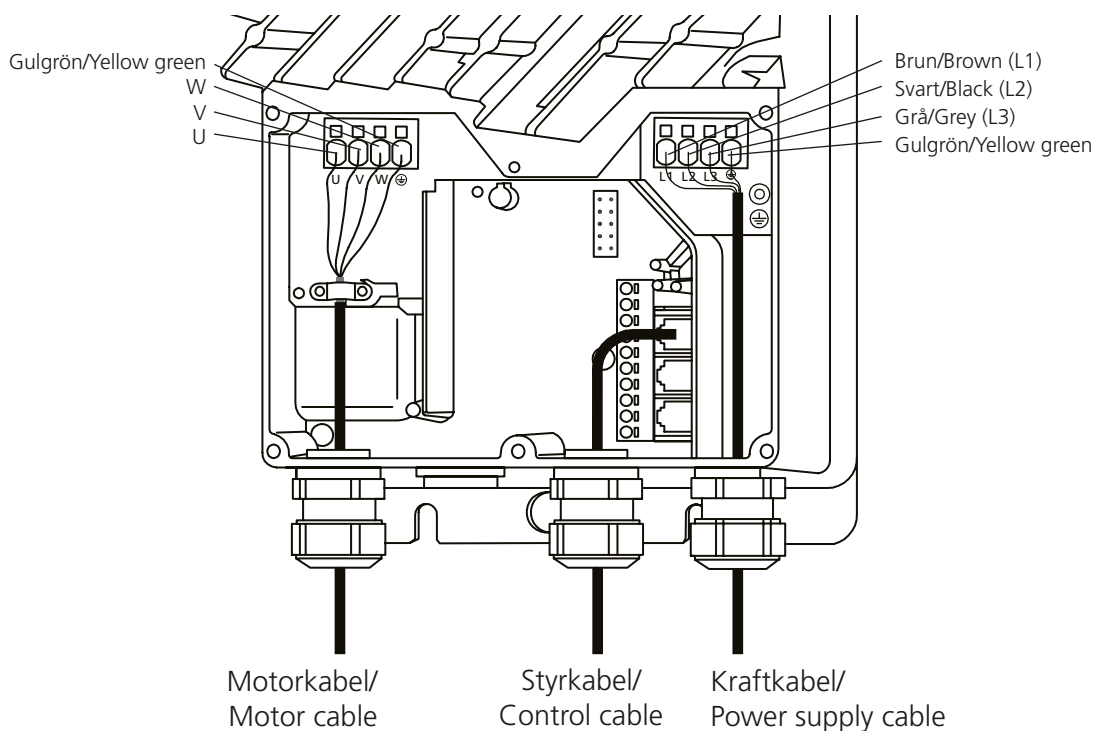


GOLD RX 11 eff.var. 2/cap. var. 2, 12-20+ eff.var. 1 och 2/cap. var. 1 and 2 utan/without COOL DX Top

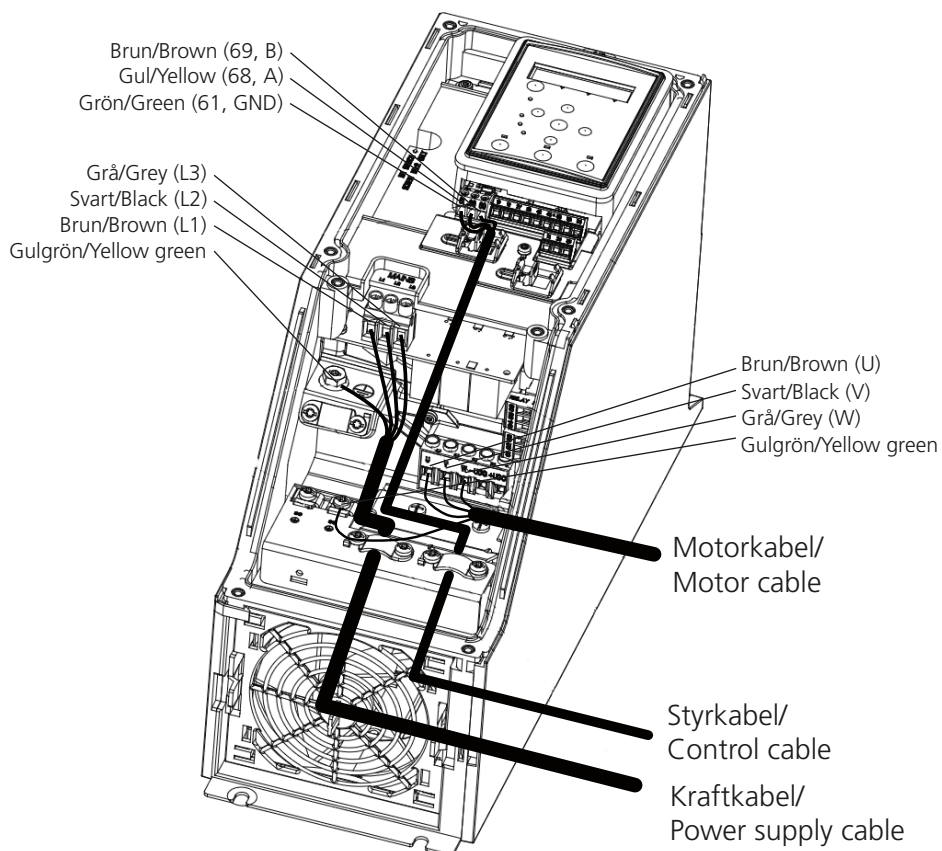


1) Inställning DIP-switch. Switch nr. 1-5. 1 = On, 0 = Off./
Settings DIP switch. Switch no. 1-5. 1 = On, 0 = Off.

B:
Alt. 1: GOLD RX/PX/CX/SD14-120

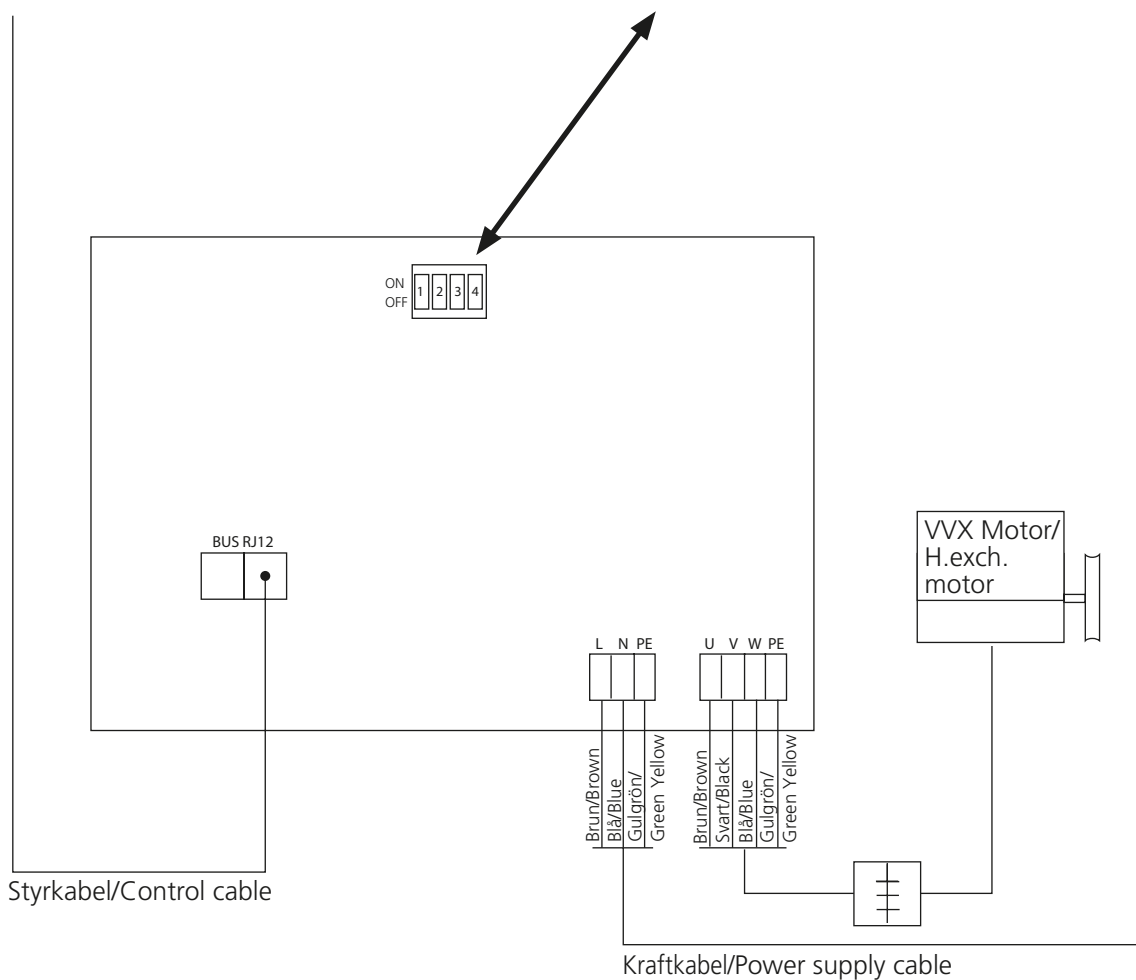


Alt. 2: GOLD RX/PX/CX/SD14-120

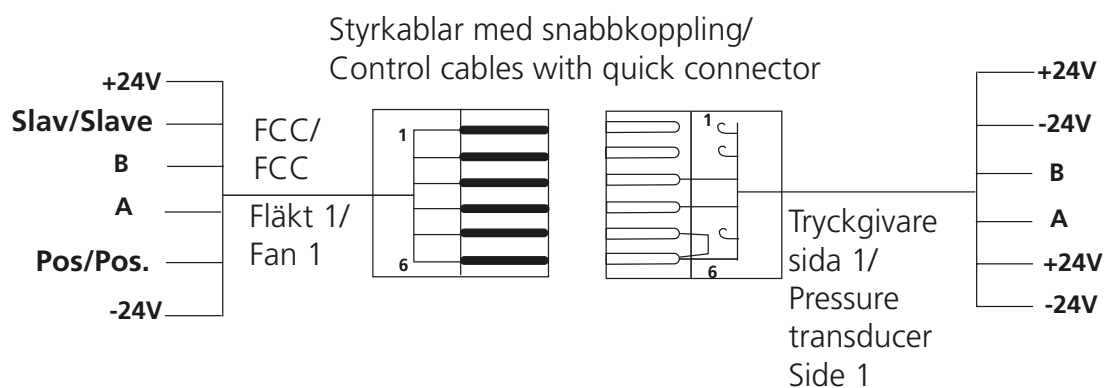


C: GOLD RX 04-80 standard, 04-70 sorption

| | DIP1 | DIP2 | DIP3 | DIP4 |
|---------------------------------|------|------|------|------|
| Rotor, standard/sorption | | | | |
| GOLD | | | | |
| RX 011-020 | ON | OFF | OFF | OFF |



J: GOLD RX/PX/CX/SD 04-50



K: GOLD RX/PX/CX/SD 04-50

