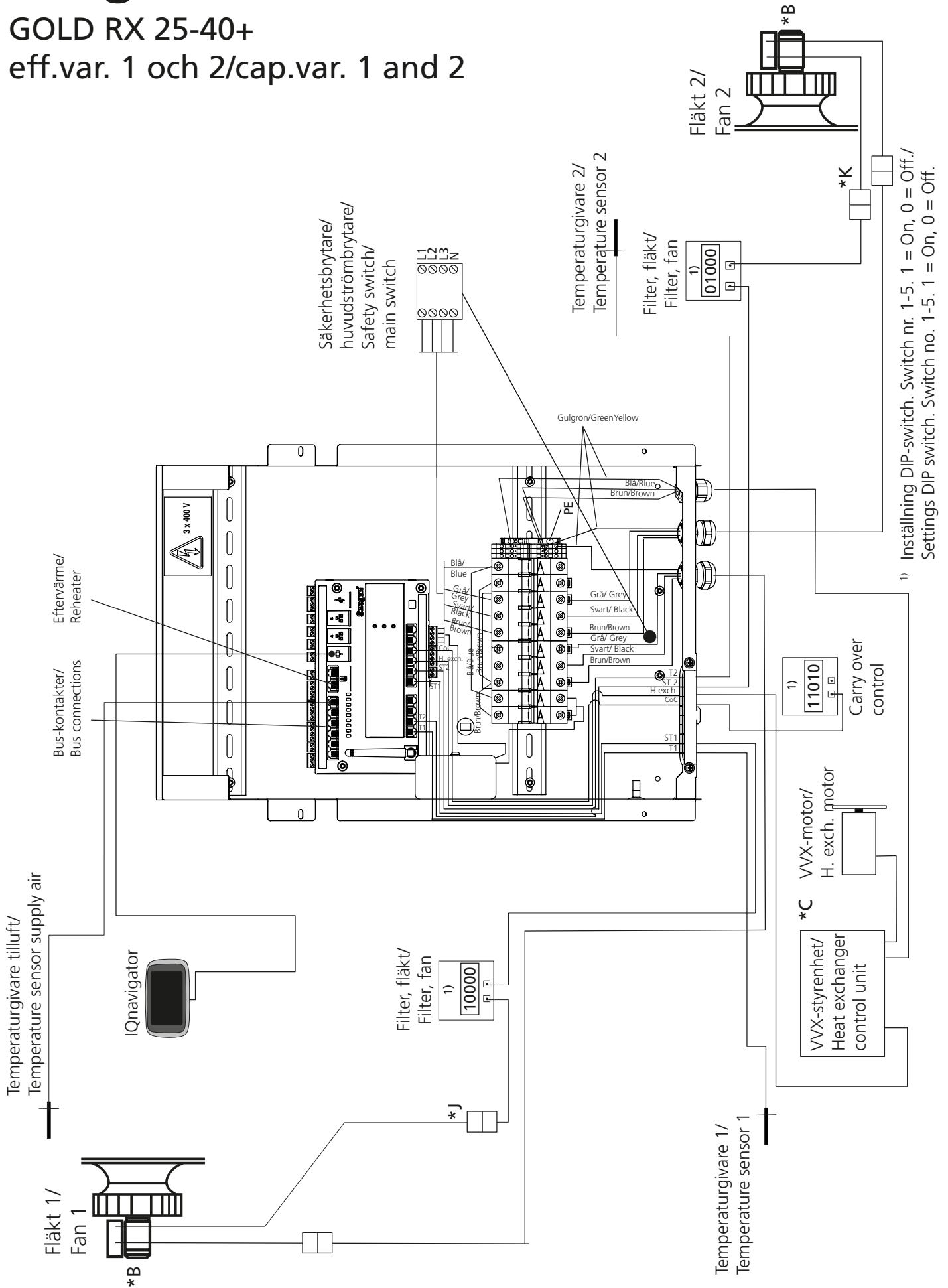
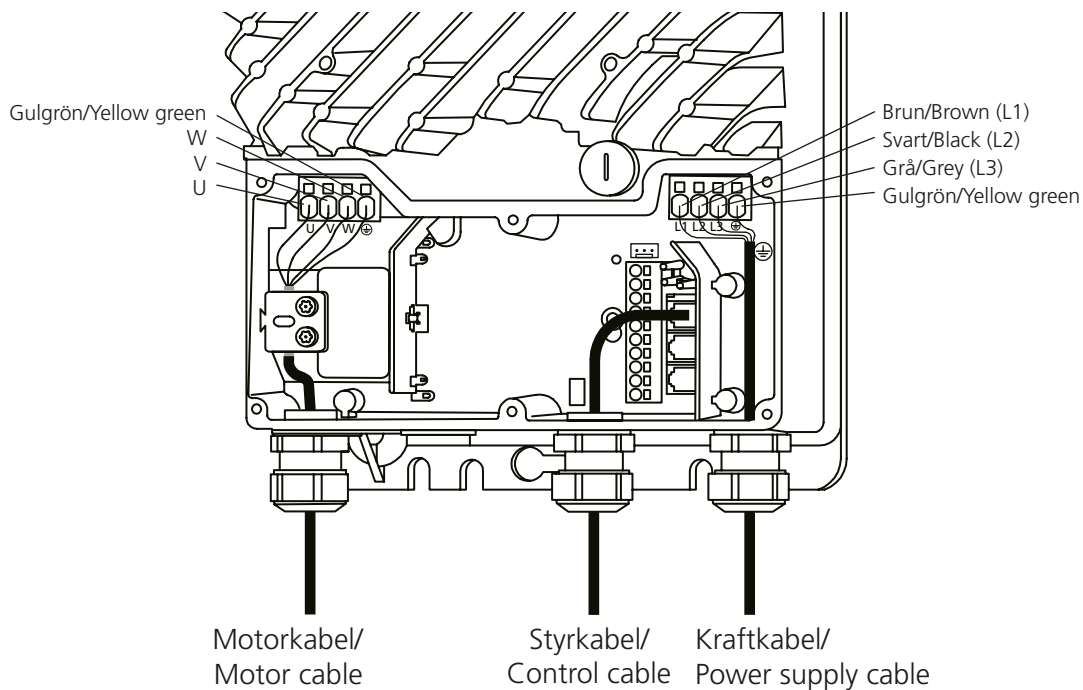


GOLD RX 25-40+ eff.var. 1 och 2/cap.var. 1 and 2

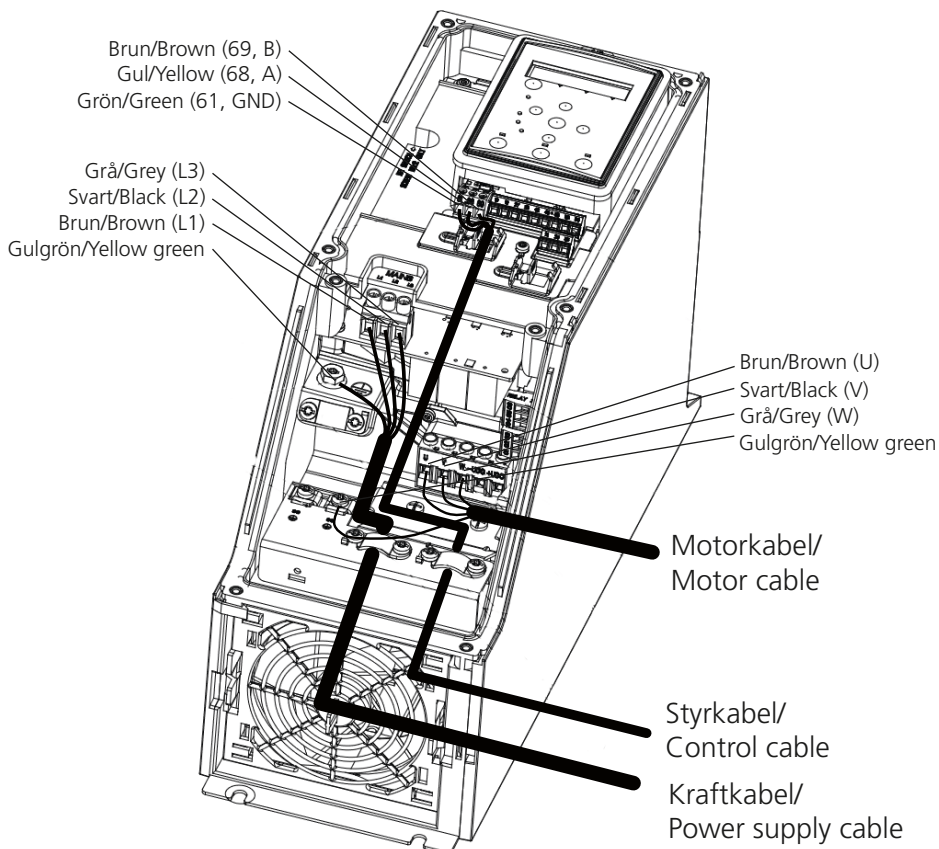


1) Inställning DIP-switch. Switch nr. 1-5. 1 = On, 0 = Off./
Settings DIP switch. Switch no. 1-5. 1 = On, 0 = Off.

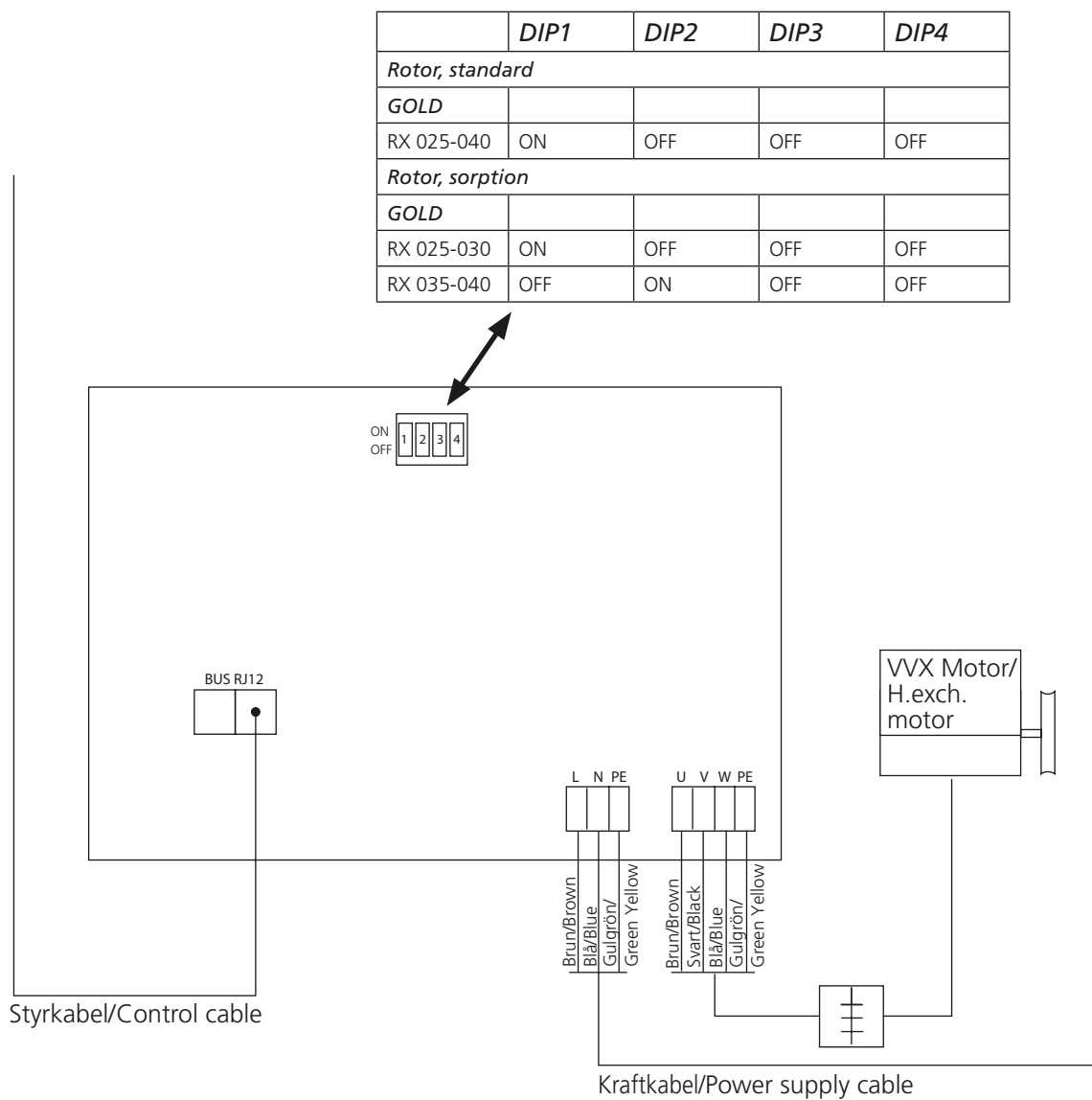
B:
Alt. 1: GOLD RX/PX/CX/SD14-120



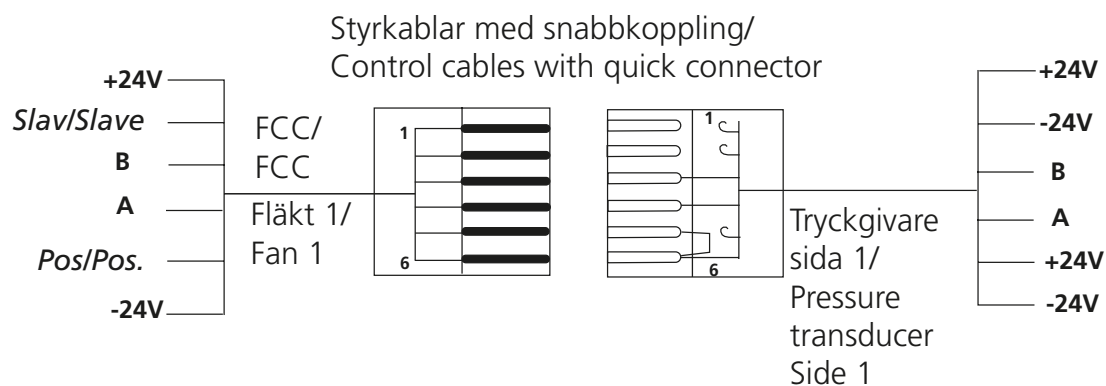
Alt. 2: GOLD RX/PX/CX/SD14-120



C: GOLD RX 04-80 standard, 04-70 sorption



J: GOLD RX/PX/CX/SD 04-50



K: GOLD RX/PX/CX/SD 04-50

