

# Installation Instructions for the TBLZ-1-27-a, for air heater/ air cooler, water GOLD, version E/F/G

## General

In order to connect an air heater/air cooler for water, an 8-pin quick-fit connector with cable is needed for the valve actuator.

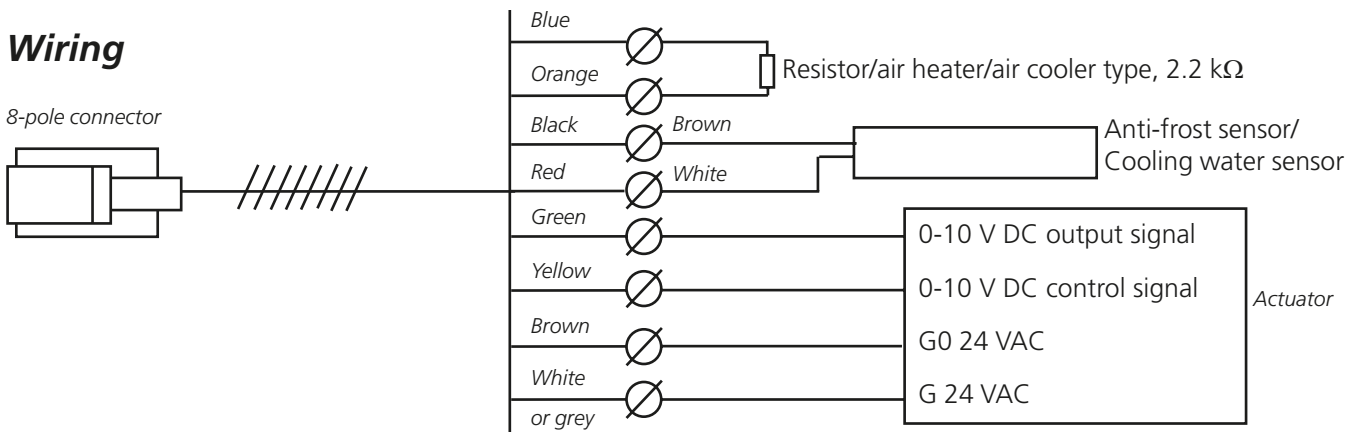
An anti-freeze monitor sensor as well as a 2.2 kΩ resistor indicating the correct type of air heater are required. The anti-freeze monitor sensor can be selected as an insertion type sensor (TBLZ-1-27-1) or a strap-on type sensor (TBLZ-1-27-2). The set of electrical connections can also be selected without anti-freeze monitor sensor (TBLZ-1-27-3). For the air cooler, the sensor is e.g. only used for temperature indication.

The max permissible load on the 24 V AC output is 16 VA and that on the 0-10 V DC output is max 8 mA.

	Article no.
8-pole connector and cable (7 m)	32346101
Anti-freeze monitor sensor of insertion type (3 m)	80630801
Anti-freeze monitor sensor of strap-on type (2,3 m)	32435701
Resistance 2,2 kΩ (( With anti-freezing monitor)	018515
Resistance 1,8 kΩ (( Without anti-freezing monitor)	019898

## Wiring

8-pole connector



# Installation Instructions for the TBLZ-1-27-a, set of electrical connections for air heater, hot water GOLD LP/COMPACT

## General

To connect a heater for hot water a 8-pole connector and cable is needed for the actuator water valve.  
An anti-freeze monitor sensor and a 2,2 kΩ resistor that indicates the correct coil type are required for the GOLD/COMPACT. The anti-freeze monitor sensor can be either of insertion (TBLZ-1-27-1) or strap-on type (TBLZ-1-27-2). The set of electrical connections can also be selected without anti-freeze monitor sensor (TBLZ-1-27-3).  
The rated load is 24 VAC output max 16 VA and 0-10 VDC output max 10 mA.

8-pole connector and cable (7 m)	Article no.
Anti-freeze monitor sensor of insertion type (3 m)	32346101
Anti-freeze monitor sensor of strap-on type (2,3 m)	80630801
Resistance 2,2 kΩ (( With anti-freezing monitor)	32435701
Resistance 1,8 kΩ (( Without anti-freezing monitor)	018515
	019898

## Wiring

